

myDualzone 6.0m

The best of both worlds; a spa & pool in one complete package

 **sapphire spas.**
australian made & family owned





Proudly Australian
made & family owned

A SIMPLE STATEMENT BUT
ONE WE ARE EXTREMELY
PROUD OF



The level of pride shines through on every one of our spas, you'll find the same uncompromising build quality and component selection right across our range. Manufactured right here in Australia with optimum components, sourced worldwide from the very best available, every Sapphire Spa is backed by our unmatched Aussie Tough warranty. Big business stability, coupled with small business service guarantees you quality, consistency and reliability.

With a long history of providing both comfort and innovation with our product, we have recently reviewed every shape, colour, massage layout and energy saving component to ensure you will receive years of pleasure from your Sapphire Spa.

Innovations such as our world leading Varidrive 80 – Variable Speed Massage pump allows you to select from 80 precise jet pressure settings, or alternatively activate one of the pre-programmed massage modes that will provide you with the ultimate relaxation.

We bring the benefits of Ozone & UV Light together in the Clearzone Water Sanitisation to provide the most efficient sanitisation process available saving you time and money on maintaining the best looking spa.

You know our spas are locally manufactured but, more importantly, they are locally serviced for your peace of mind. If, by some chance, you need our help, then one of our dedicated retail network team is only a local phone call away. Rest assured that you are protected by the Sapphire Spas lifecare commitment.

Above all else, our spas are world renowned for being the most comfortable, come and try one today, we are sure you will love them as much as we do.



Gallery of installations

We invite you to have a look through our gallery of photos from our happy customers, who have kindly shared photos of where they've installed their spa & how much it's already become a part of their daily life. Hopefully this gives you some inspiration of how a Sapphire Spa can make a difference to your life.

sapphirespas.com.au/spa-gallery
sapphirespas.nz/spa-gallery



Welcome to our family

As part of the Sapphire family our level of care doesn't end once you hand over the money. Remember that, as a Sapphire Spa owner, you're protected by our lifecare commitment; just contact the team at your local store.

Take the time to look through 'WELCOME to our Family' tab on our website:



PREPARE for your spa

Everything you need to know once you've bought your spa, where to put it at home & how to prepare for the delivery.

INSTALL your spa

Everything you need to know as you're installing your spa, including technical information for your tradies.

ENJOY your spa

We know all you want to do is jump in – nobody wants to read the manual! As part of the Sapphire Family we're here to guide you every step of the way with simple instructions & practical videos, as you enjoy your new spa at home.

Tips & Tricks

We understand nothing ever goes to plan so here's the knowledge we've accumulated over the years.

mySpa@Home help

is a comprehensive collection of 'how to' videos, manuals & quick references guides to have right by your side as you enjoy your new purchase.

CLASSIC

*hot or cold backyard pool:
post workout hydrotherapy*



5 PUMP SYSTEM

3 X HYDROJET 3HP PUMPS

2 X FILTRATION PUMP

4 X SWIM JETS

2 X POWERSMART CONTROL

PUREWATER CD OZONE SANITISATION

SPA: 3KW + **POOL:** 6KW HEATER

POOL: 5.5KW HEAT&COOL PUMP

LED WATERLINE LIGHTING

STAINLESS STEEL SUPPORT BAR

CHOICE OF CABINET FINISHES



PREMIUM

*the best in hydrotherapy:
splash, swim & train*



7 PUMP SYSTEM

5 X HYDROJET 3HP PUMPS

2 X FILTRATION PUMPS

4 X SWIM JETS

2 X POWERSMART CONTROL

CLEARZONE SANITISATION

SPA: 6KW + **POOL:** 6KW HEATER

POOL: 8.8KW HEAT&COOL PUMP

EXTRA MASSAGE JETS

LED WATERLINE LIGHTING

ILIGHT SWIM TRACKING

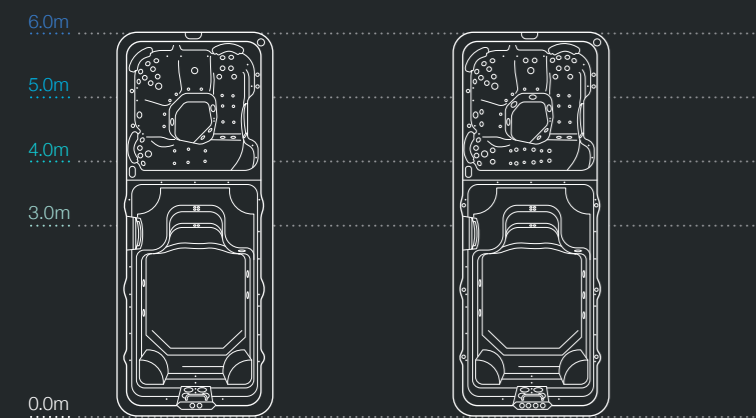
SWIM END POD SEATS

STAINLESS STEEL SUPPORT BAR

CHOICE OF CABINET FINISHES

myDualzoneSERIES

'When renovating our backyard, we decided to treat ourselves to a swim spa. It has really brought a new level of luxury to our entertaining area'.



Classic 6.0m

5980x2290x1320mm

Capacity 8150 LTR

Dry weight 1400 KG

Wet weight 9850 KG

Premium 6.0m

5980x2290x1320mm

Capacity 8150 LTR

Dry weight 1400 KG

Wet weight 9850 KG

For technical information see page 10



myDualzone6.0m CLASSIC



myDualzone6.0m PREMIUM

TECHNICAL INFORMATION

Specification	myDualzone	
	Classic	Premium
spa end		
SQR jets	44	58
neck & shoulder system	–	–
filtration pump	1	1
hydrojet boost pump	1	2
powersmart control & touchpad	SV2	SV3
smartTOUCH digital touchpad	optional	✓
powersmart variable heater	3kw	6kw
minimum power required	15amp	32amp
heat&cool pump ready plumbing (within the cabinet)	optional	✓
purewater CD ozone sanitisation	optional	✓
clearzone water sanitisation	optional	optional
LED waterline lighting	optional	✓
swim end		
swim jets	4	4
filtration pump	1	1
hydrojet boost pump	2	3
powersmart control & touchpad	SV3	SV3
powersmart variable heater	6kw	6kw
minimum power required	32amp	32amp
heat&cool pump	5.5kw	8.8kw
purewater CD ozone sanitisation	✓	–
clearzone water sanitisation	optional	✓
LED waterline lighting	✓	✓
iLight swim tracking	optional	✓
waterspouts	optional	optional
swimend pod seats	optional	✓
choice of cabinet finishes	✓	✓
stainless steel support bar	✓	✓
heatlock lockable hardcover	✓	✓
heatlockthermo+ insulation	✓	✓

INCLUSIONS & FEATURES



Wide entry steps for shallow toddler play

Pool sized area for bigger kids to splash & swim and shallow wide open steps for toddlers to safely play with Mum.



Alternative to a backyard swimming pool

Healthy outdoor fun for active kids even throughout cooler winter months.



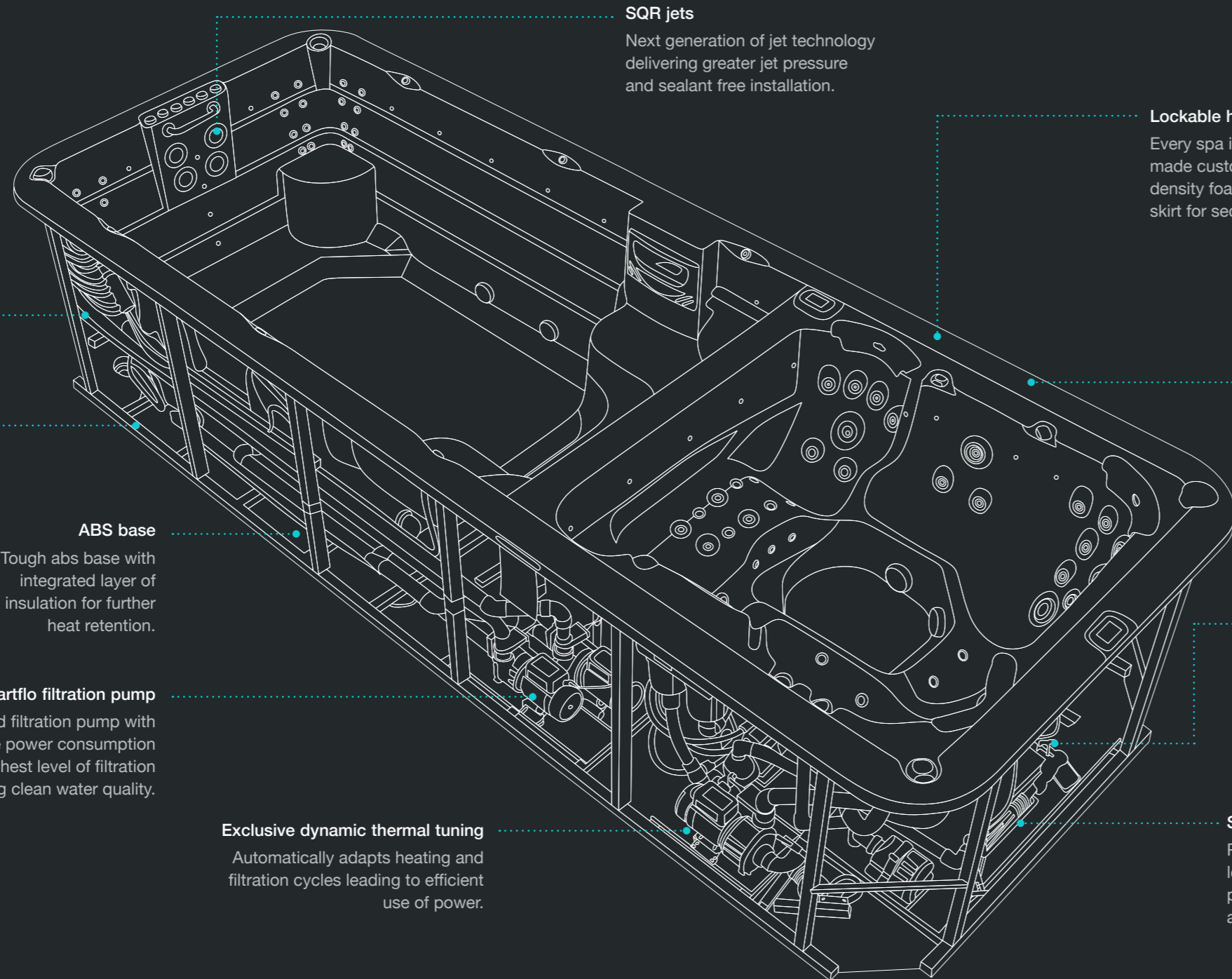
Stainless Steel Support Bar

Provides safety during recovery from injury / when mobility and strength are compromised / for small children learning swim strokes & kicking.

myDualzone6.0m will become part of your everyday life 365 days a year
temperature control heated spa end / cool swim end



Energy efficiency



Cabinet insulation

Advanced reflective laminate. Durable non-allergenic and water resistant.

Custom fit cabinet

Hand crafted cabinet to suit every spa model. Canadian cedar cabinet as standard or the choice of composite duratek.

ABS base

Tough abs base with integrated layer of insulation for further heat retention.

Smartflo filtration pump

Dedicated filtration pump with cost effective power consumption providing the highest level of filtration for sparkling clean water quality.

Exclusive dynamic thermal tuning

Automatically adapts heating and filtration cycles leading to efficient use of power.

SQR jets

Next generation of jet technology delivering greater jet pressure and sealant free installation.

Lockable hard cover

Every spa is supplied with an Australian made custom fit hard cover with high density foam core and extended side skirt for security and heat retention.

Insulated shell

High density foam traps heat inside the cabinet.

Smartflo boost pump

Premium High Efficiency Smartflo Boost Pumps with advanced wet end technology delivering increased water flow without consuming additional power.

Smart control system

Powersave technology for lower operating costs including programmable offpeak heating and smart meter compatible.



SUPERIOR PERFORMANCE WITH SUPERIOR FEATURES

SQR jet system

- New spectrum jets on all sapphire spas.
- SQR (Simple, Quick, Reliable) System.
- Better seals to provide increased jet pressure.

Superior performance

- 20% increase in pressure achieved via a more effective venturi.
- Almost zero water bypass resulting in more water being forced into the jet.
- Free flowing jet that allows greater pressure at jet face.

Advanced manufacturing

- Less steps, less tools.
- Less chance of errors and greater consistency.
- Tried and tested in the USA and Europe.
- Superior comfort and ergonomics.

Unrivalled reliability

- Significantly reduced potential for leaks.
- Introduction of a new locking mechanism.
- Jets that can be removed with ease and are less prone to getting stiff.

Essential collection



Waterspouts

Aqua play is the perfect way to develop a strong bond with your children whilst playing at their level.

In today's world of internet, iPods, video games and television, we need a way to promote an active lifestyle and avoid the danger of disconnection from each other.



iLight swim tracking

LED iLight swim tracking guides your strokes to hold a central position as you swim against the jet stream.

This chain of lights also creates an underwater glow as they interact with the movement of water & bubbles within your swim spa.



Swim spa steps

Treated Pine frame with High Quality Merbau Treads, the three tier design allows you to gain easy entry into our range of Swim Spas.



smartTOUCH digital touchpad

Large 4.3" viewing area, optimised for use outdoors, the anti-glare and anti-reflective screen is easy to use with wet or dry hands. With software tailored for use with your Sapphire Spa, intuitive menus let you take control of every function with ease.



Heat&cool pump

Spanet heat & cool pumps are standard on all Sapphire swim spas, providing savings of up to 75% compared with conventional electric heaters.

You can enhance the efficiency of your swim spa heating & cooling capabilities by increasing the size / output depending upon your lifestyle & location.



mySpaLINK

Control your spa from anywhere in the world. The mySpaLINK module and 'app' allow you to connect to and take control of your spa, locally or remotely via a WiFi, 3G or 4G network, providing access to your spa from any location at any time.



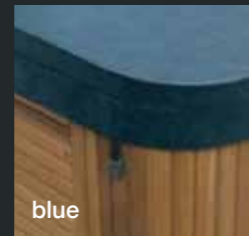
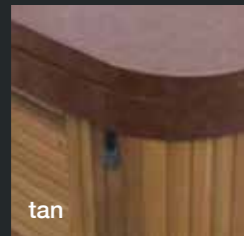
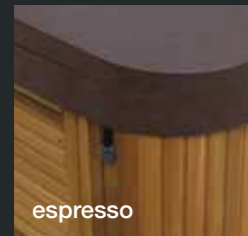
mySpaHiFi

Combined with mySpaLINK, mySpaHiFi delivers a high definition stereo sound system for your spa, offering exceptional sound clarity with subwoofer support.

Stream music directly to your spa from any bluetooth smart device. Sophisticated transducer technology produces immersive underwater surround sound as the sound waves are fed through the spa shell and amplified by the volume of water.



Colour palette



Heatlockthermo+ hard covers
Our **heatlockthermo+** hard covers are designed to be good looking, hard wearing and money saving. These foam filled covers are custom fitted to your spa to capture heat and conserve energy.



mocha duratek



grey duratek



cedar timber



premium coastal grey



premium dark chocolate

Natural handcrafted cedar



Trusted warranty

10 years on fibreglass structural support

5 years on acrylic surface

5 years on timber cabinet

3 years on duratek cabinet

3 years on jets

3 year no leak guarantee

3 years on equipment

2 years on headrests

2 years on hardcover

✓ Australian made

✓ Built tough

✓ Dedicated support team



PEACE OF MIND YOU CAN ONLY GET WITH A SAPPHIRE SPA

The level of pride shines through on every one of our spas, you'll find the same uncompromising build quality and component selection right across our range. Manufactured right here in Australia with optimum components, sourced worldwide from the very best available, every Sapphire Spa is backed by our unmatched Aussie Tough warranty. Big business stability, coupled with small business service guarantees you quality, consistency and reliability.

As an all Australian, locally designed and manufactured spa brand, we offer you many benefits:

- the longest warranty on the market.
- Full coverage within your warranty period. No pro-rata or parts only conditions, just full coverage peace of mind.
- quality controlled manufacturing that means every spa is built to the highest Australian Standards.
- a 'lifecare commitment' that GUARANTEES we'll service your spa as long as you own it.

Welcome to the Sapphire family

Much more than a backyard swimming pool...
now you can set the 2 zones to different temperatures.

sapphirespas.com.au
sapphirespas.nz

Your local retailer

 **sapphire spas.**
australian made & family owned

